

118' WETA SUBCHAPTER K CATAMARAN FERRY FIXED FIRE SYSTEM A & D

TABLE OF CONTENTS		
SHT#	DESCRIPTION	REV
1	COVER SHEET	D
2	MATERIAL LIST, FIRE BOUNDARTY DETAIL, FRAME 16 DETAILS	D
3	ELEVATION VIEWS	D
4	FRAME 15	D

REVISIONS		
ZONE	SYM DESCRIPTION	DATE
ALL	A RELOCATED BOTTLE & MODIFIED PIPING TO SUIT	3/3/09
ALL	B MOVED NOZZLE FWD AND UPDATED A TEE TO AN ELBOW	4/13/09
ALL	C UPDATE PORT PIPING PER AS-BUILTS UPDATED FOUNDATION DETAILS	6/29/09
SHT 3	D AS-BUILTS ADDED NOTES FOR LOCATING FM200 CONTROL BOX AND NITROGEN BOTTLE	10/30/09

GENERAL NOTES

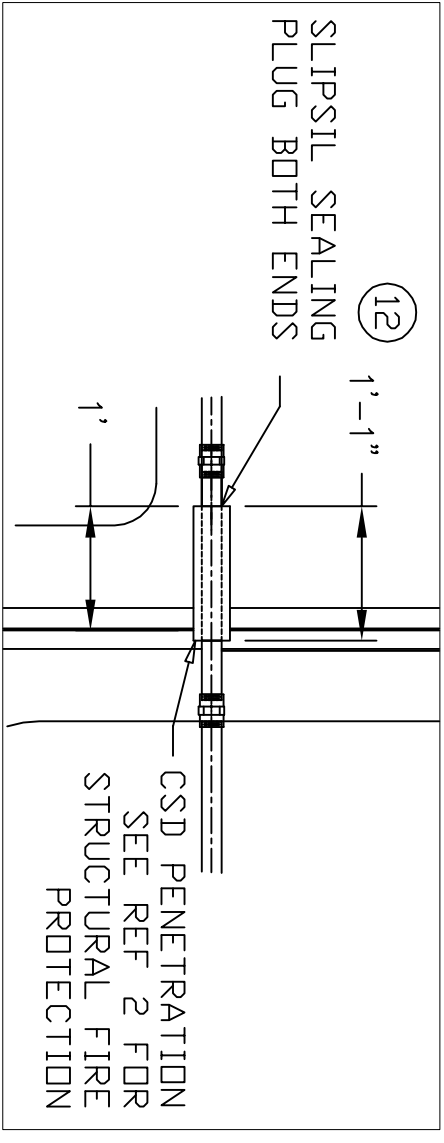
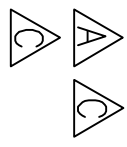
1. RISE SEALING SYSTEM IS AN EQUAL AND ACCEPTABLE REPLACEMENT FOR SUPSILS WHEN PREFERRED.
2. SECURE PIPE EVERY 4 FEET.
3. FOUNDATIONS & HANGERS TO BE SHIP FIT AND ACCOMMODATE 4" OF STRUCTURAL FIRE PROTECTION.

REFERENCES

No.	DWG No.	TITLE
1.	11642-761-004	WTA ENGINE ROOMS -SBS FM-200 FIRE SUPPRESSION SYSTEM
2.	11642-662-001	STRUCTURAL FIRE PROTECTION

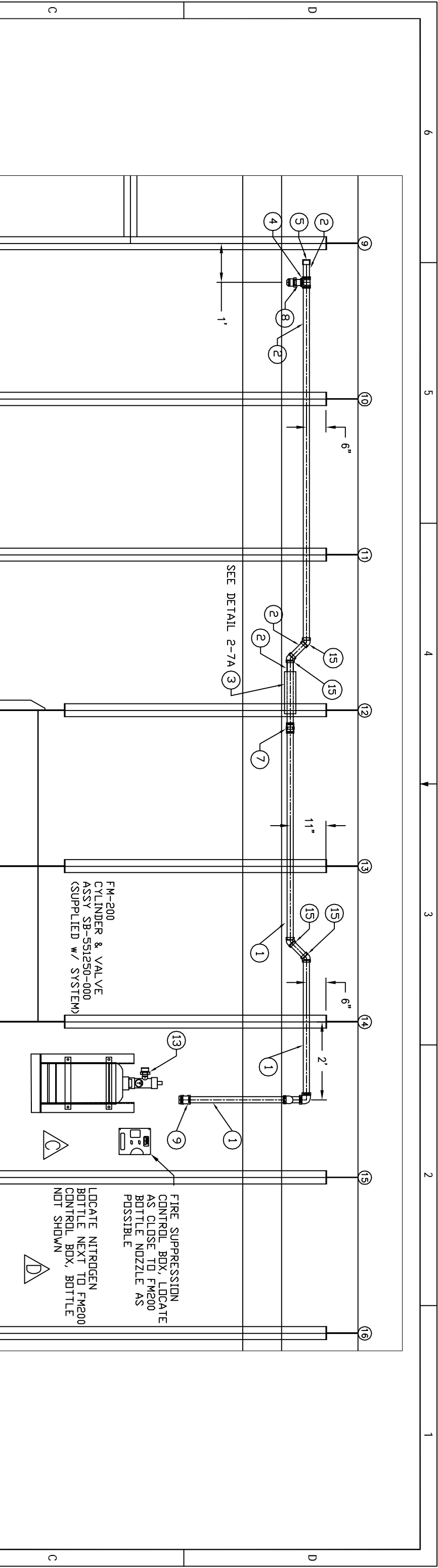
<p style="margin: 0;">Kvichalk Marine Industries, Inc.</p>	<p style="margin: 0;">WETA CATAMARAN FERRY 118' SUBCHAPTER K FIXED FIRE SYSTEM A & D</p>
449 NW BONDVIEW PL, SEATTLE, WA 98103 TEL: (206) 545-2845 FAX: (206) 545-2841 SCHEDULED FOR CONSTRUCTION THE PROJECT IS PROTECTING THE SHIP AND RESERVING THE RIGHT TO MAKE CHANGES TO THE PROJECT AS NECESSARY. WITHOUT CHANGE OF NOTICE. MARINE INDUSTRIES INTERNATIONAL, SEATTLE, WA, U.S.A.	SCALE: 1/8"=1'-0" DATE: 12/15/08 DRAWN BY: JLS CHECKED BY: BD DATE: 10/26/09

ITEM	QTY	UOM	DESCRIPTION	COMM	CLASS	ITEM NO
1	40	FT	PIPE, STEEL, GALVANIZED PLATING, SCH 40, 1500, PER ASTM A106, 2.720 #/FT	PIPE	GALV	209099
2	40	FT	PIPE, STEEL, GALVANIZED PLATING, SCH 80, 1500, PER ASTM A106, 3.630 #/FT	PIPE	GALV	209100
3	3	FT	PIPE, 6061-T6, SCH 40, 3.000, ASTM B221, 2.621 #/FT, 20 FT LENGTH	PIPE	6061	111277
4	2	EA	FITTING PIPE, TEE, STEEL, GALVANIZED PLATING, 1500 FNPT x 1500 FNPT x 1500 FNPT, 300LB	FITNG	GALV	209101
5	2	EA	FITTING PIPE, CAP, STEEL, GALVANIZED PLATING, 1500 FNPT, 300 LB	FITNG	GALV	209102
6	5	EA	FITTING PIPE, ELBOW, STEEL, GALVANIZED PLATING, 1500 FNPT x 1500 FNPT, 90 DEG, 300 LB	FITNG	GALV	209104
7	2	EA	FITTING PIPE, UNION, STEEL, GALVANIZED PLATING, 1500 FNPT x 1500 FNPT, 300 LB	FITNG	GALV	209103
8	2	EA	FITTING PIPE, NIPPLE, STEEL, GALVANIZED PLATING, SCH 80, 1500 MNPT x 2500 LENGTH	FITNG	GALV	209105
9	2	EA	FITTING PIPE, COUPLING, STEEL, GALVANIZED PLATING, 1500 FNPT x 1500 FNPT, 300 LB	FITNG	GALV	209106
10	AS	EA	HANGER, PIPE, STEEL, ZINC PLATING, 1500 ID, B-LINE BVP150, W/ PLASTIC INSERT			207225
11	AS	FT	CHANNEL, 6063-T6, .080, 1.625 x .813, .37 #/FT, 10 FT DR 20 FT LENGTH, B-LINE B54-AL OR EQUAL	CHANNEL	ALUM	207324
12	4	EA	PIPE, SEALING PLUG, NDFIRND, 1500 ID, SLIPSIL 78/46-49			208284
13	1	EA	SERVICE, FIRE EXTINGUISHING SYSTEM, ALEXANDER GOW, SBS FM-200, SERVICIES AND PARTS SUPPLIED PER SPEC 11642-761-001	SERVICE	*VAR	209129
14	2	SF	RUBBER NEOPRENE, 80 DURDMETER, 1250, SHEET	RUBBER	NEO 80	102394
15	6	EA	FITTING PIPE, ELBOW, CARBON STEEL, GALVANIZED PLATING, 1500 FNPT x 1500 FNPT, 45 DEG, 300 LB	FITNG	GALV	209986
16	16	FT	ANGLE, 6061-T6, .375 x 4.000 x 3.000, ASTM B221, 2.926 #/FT, 25 FT LENGTH	ANGLE	6061	104140

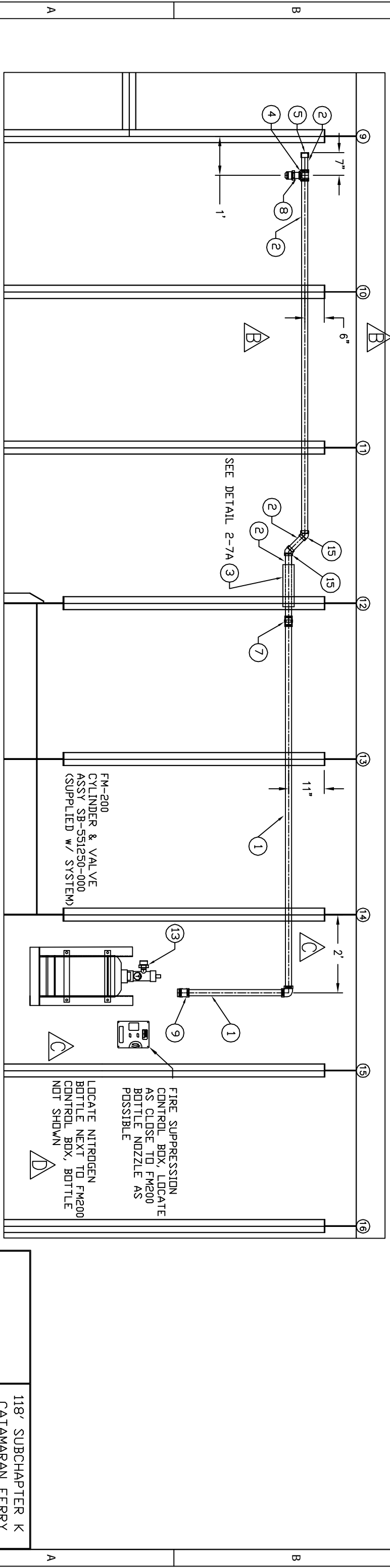


DETAIL 2-7A
 LOOKING INBD TO FRAME 12 STBD SIDE
 SHOWN - PORT SIDE OPP HAND

		118' SUBCHAPTER K	
		CATAMARAN FERRY	
		FIXED FIRE	
11642-761-002 D		SYSTEM A & D	
SHEET 2 OF 4		DATE	

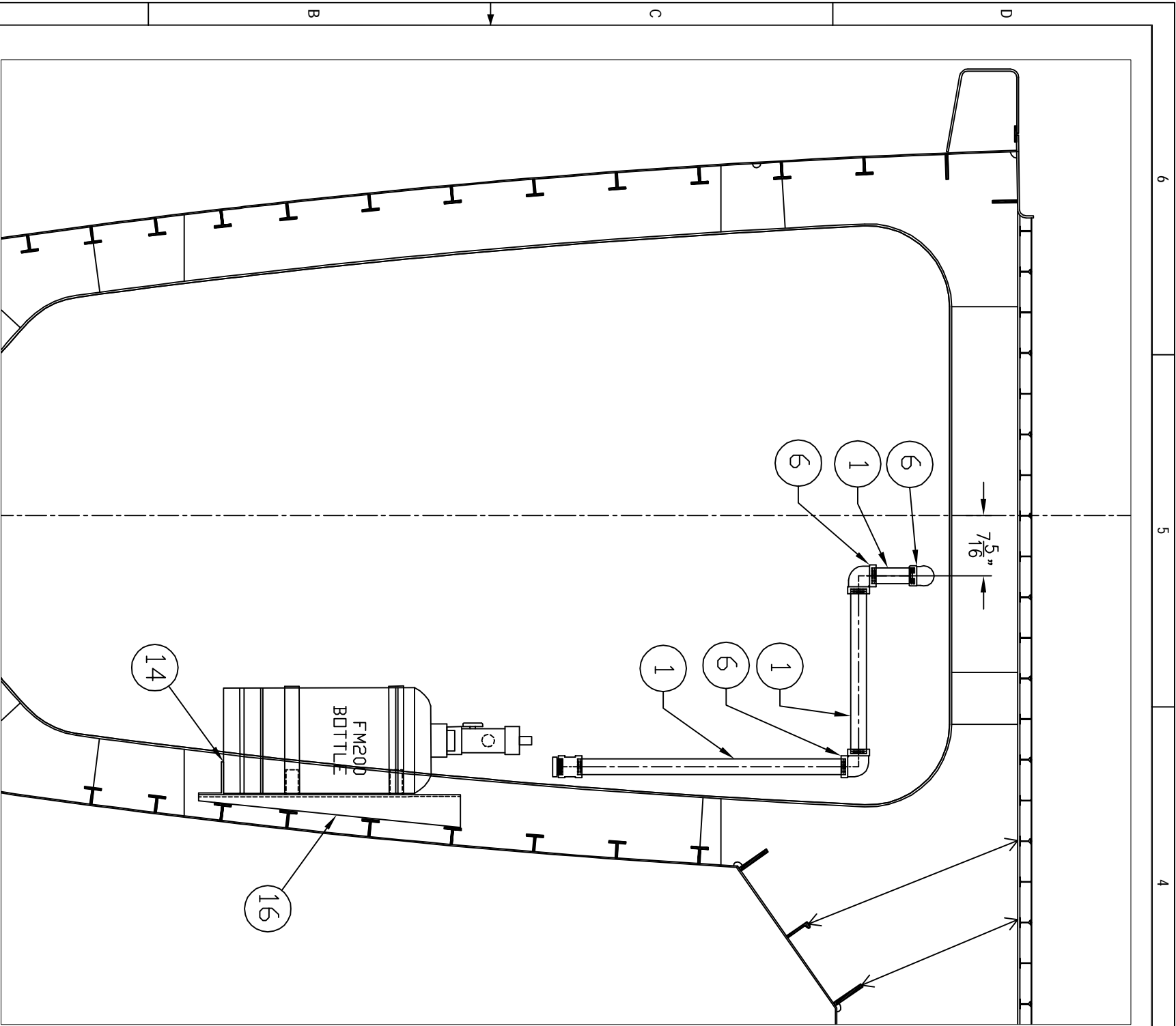


ELEVATION 3-4C
PORT HULL - LOOKING OUTBD

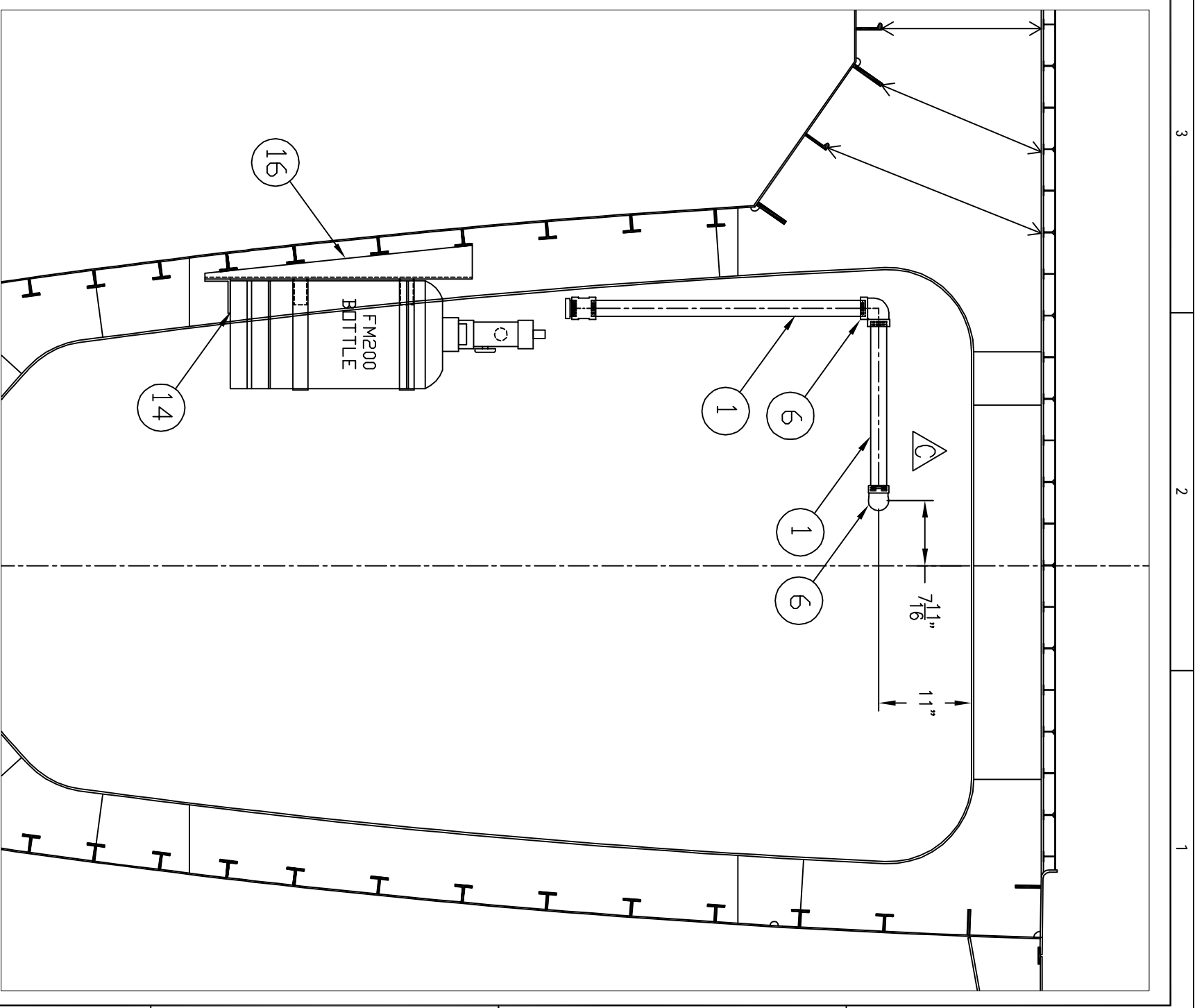


ELEVATION 3-2A
STBD HULL - LOOKING INBD

	118' SUBCHAPTER K
	CATAMARAN FERRY
FIXED FIRE	SYSTEM A & D
DATE 11642-761-002 REV D	SCALE 3 DF 4 NTS



SECTION 4-6A
 LOOKING FWD TO FR 15
 PORT SIDE SHOWN



SECTION 4-2A
 LOOKING FWD TO FRAME 15
 STBD SIDE SHOWN

 Kvichalk Marine Industries, Inc.	118' SUBCHAPTER K
	CATAMARAN FERRY
SYSTEM A & D FIXED FIRE	NTS

DWG 11642 - 761 - 002
 REV D
 SHEET 4 OF 4